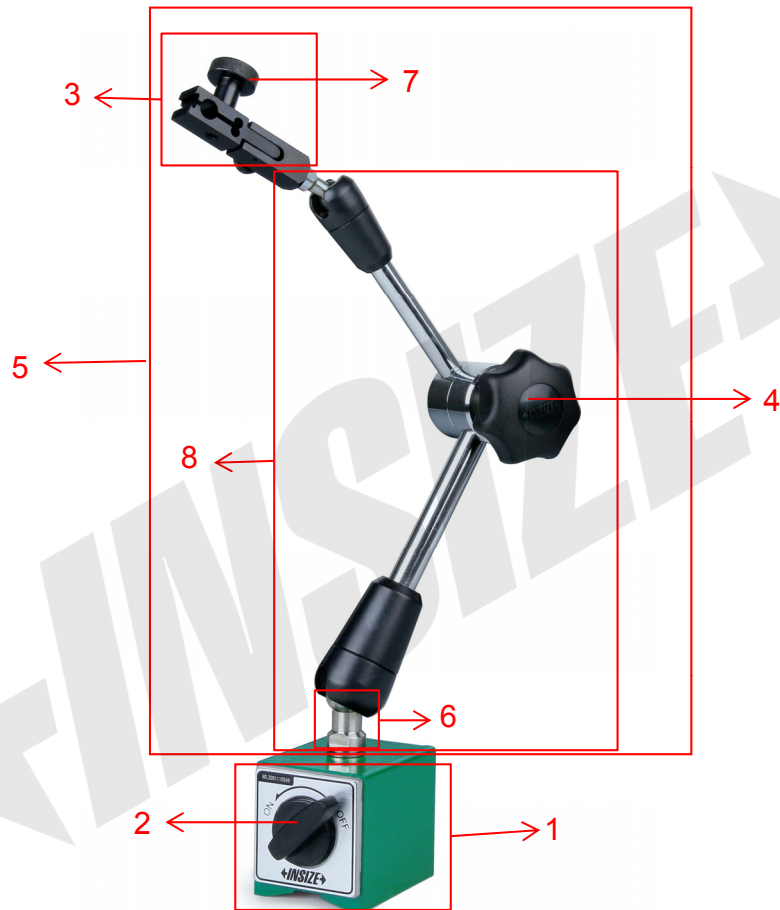


Spare parts for universal magnetic stand 6210 series



Part NO.	Code	Description
1	SP-STAND-BASE-6210-80	Stand base for 6210-80
	SP-STAND-BASE-6210-100	Stand base for 6210-100
2	SP-STAND-SPANNER	Spanner
3	SP-DIAL HOLDER-6210E	Dial holder (inch)
	SP-DIAL HOLDER-6210	Dial holder(metric)
4	SP-STAND-KNOB-6210	Tightening knob
5	SP-STAND-UPPER-6210-81	Universal locking lever for 6210-81
	SP-STAND-UPPER-6210-81E	Universal locking lever for 6210-81E
	SP-LOCKING LEVER-6210-80	Universal locking lever for 6210-80
	SP-LOCKING LEVER-6210-100	Universal locking lever for 6210-100
	SP-LOCKING LEVER-6210-80E	Universal locking lever for 6210-80E
6	SP-SCREW BALL-6210-80	Screw ball for 6210-80
7	SP-LOCK SCREW-6210	Lock screw for 6210 series
8	SP-ROD-6210-80	Rod for 6210-80
	SP-ROD-6210-81	Rod for 6210-81
	SP-ROD-6210-100	Rod for 6210-100