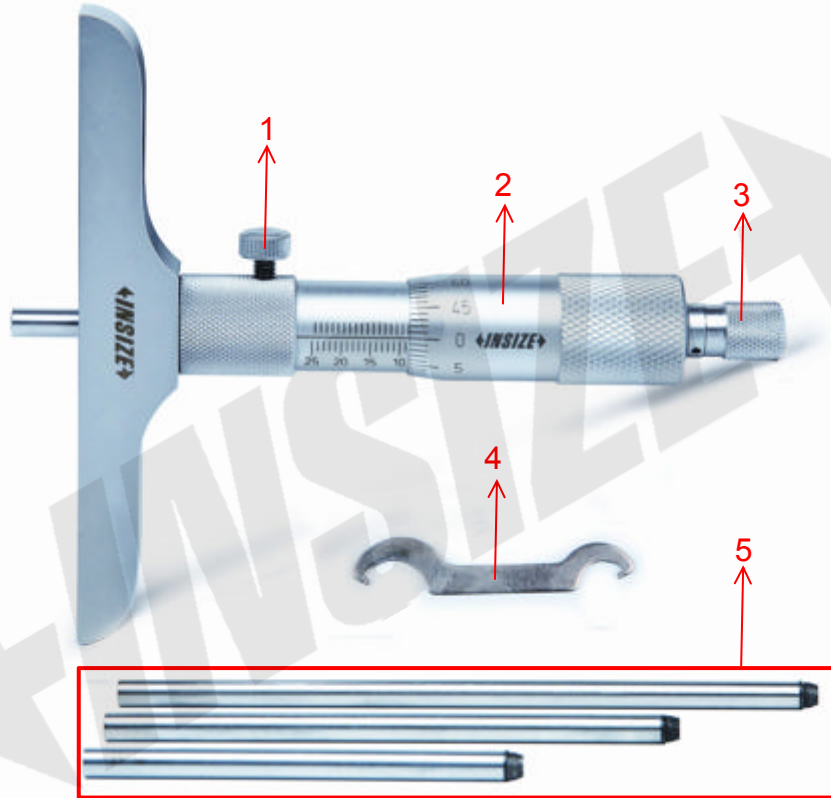


Spare parts for depth micrometer 3240 series



Part NO.	Code	Description
1	SP-LOCK-3240	Locking device
2	SP-THIMBLE-2	Rotated thimble reverse
3	SP-RACHET-2	Merauring force device
4	SP-WRENCH-2	Adjustable Wrench
5	SP-ROD-3240-25	Measuring rods for 3240/3540-25(whole set)
	SP-ROD-3240-50	Measuring rods for 3240/3540-50(whole set)
	SP-ROD-3240-75	Measuring rods for 3240/3540-75(whole set)
	SP-ROD-3240-100	Measuring rods for 3240/3540-100(whole set)
	SP-ROD-3240-150	Measuring rods for 3240/3540-150(whole set)
	SP-ROD-3240-200	Measuring rods for 3240/3540-200(whole set)
	SP-ROD-3240-300	Measuring rods for 3240/3540-300(whole set)