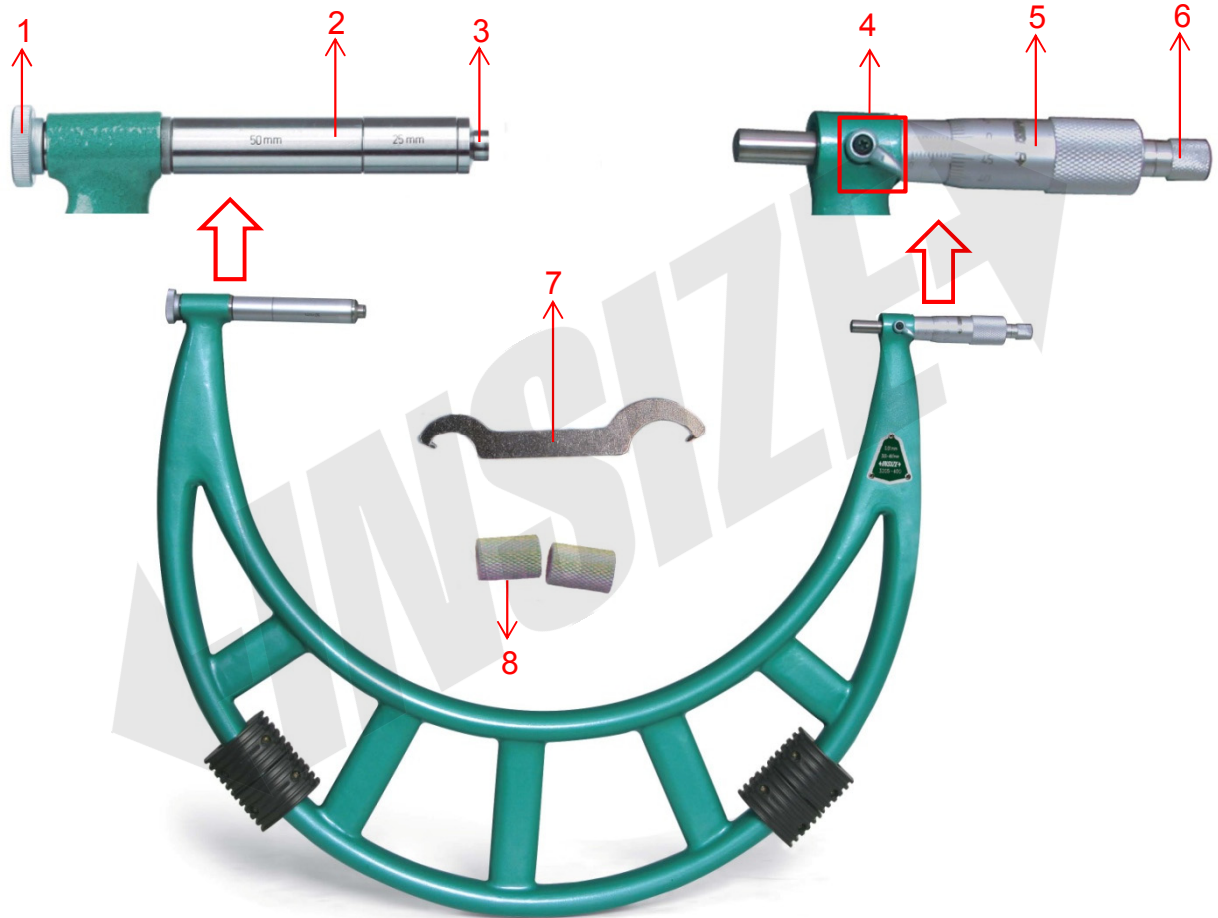


## Spare parts for outside micrometer 3205 series



Part NO.	Code	Description
1	SP-LOCKNUT-3205	Locking nut
2	SP-SLEEVE-3205-25	Anvil collar for 3205-400/-500/-600/-700/-800/-900/-1000 (the size is 25mm)
	SP-SLEEVE-3205-50	Anvil collar for 3205-400/-500/-600/-700/-800/-900/-1000 (the size is 50mm)
	SP-SLEEVE-3205-50-2	Anvil collar for 3205-1200/-1400/-1600/-1800/-2000 (the size is 50mm)
	SP-SLEEVE-3205-100	Anvil collar for 3205-1200/-1400/-1600/-1800/-2000 (the size is 100mm)
	SP-SLEEVE-3205-2IN	Anvil collar for 3205-48/-56/-64/-72/-80 (the size is 2" )
	SP-SLEEVE-3205-4IN	Anvil collar for 3205-48/-56/-64/-72/-80 (the size is 4" )
3	SP-ADJANVIL-3205	Adjustable anvil for 3205-400/-500/-600/-700/-800/-900/-1000
	SP-ADJANVIL-3205-2	Adjustable anvil for 3205-1200/1400/-1600/-1800/-2000
4	SP-MIC-LOCK-2	Locking device
5	SP-THIMBLE-1	Rotated thimble for 3205-400/-500/-600/-700/-800/-900/-1000
	SP-THIMBLE-3205-1	Rotated thimble for 3205-1200/1400/-1600/-1800/-2000
6	SP-RACHET-2	Merauring force device
7	SP-WRENCH-2	Wrench
8	SP-ROD SLEEVE-3205	Rod sleeve (single)