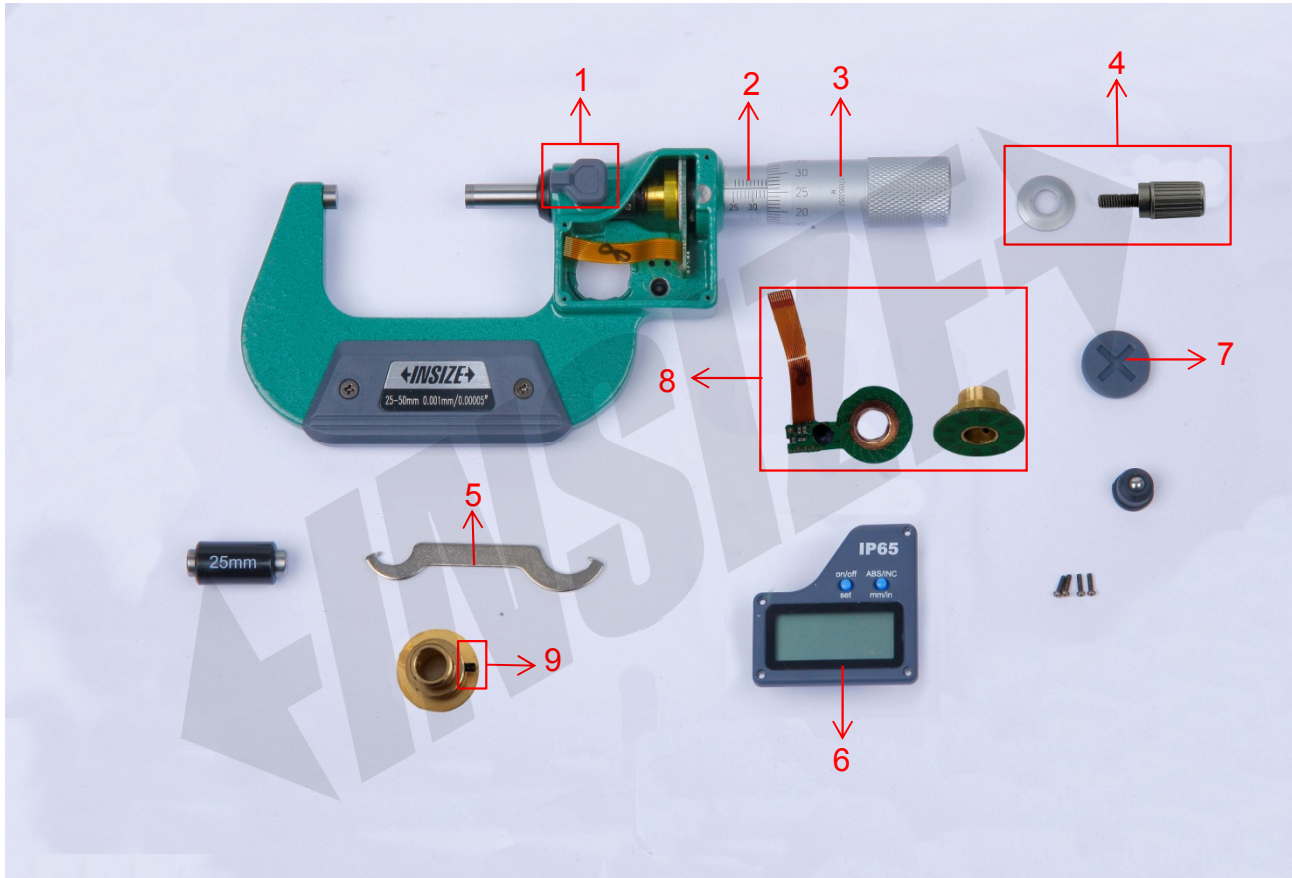


Spare parts for digital outside micrometer 3101 series



Part NO.	Code	Description
1	SP-MIC-LOCK-3	Locking device
2	SP-SLEEVE-Z-25	Fixed sleeve for 3101-25A/-125A/-225A
	SP-SLEEVE-Z-50	Fixed sleeve for 3101-50A/-150A/-175A
	SP-SLEEVE-Z-75	Fixed sleeve for 3101-75A/-175A/-275A
	SP-SLEEVE-Z-100	Fixed sleeve for 3101-100A/-200A/-300A
3	SP-THIMBLE-1	Rotated thimble
4	SP-RACHET-4	Merauring force device
5	SP-WRENCH-2	Locking wrench
6	SP-MIC-CHIP-3101-25A-1	Display unit for 3101-25A(not include fixed screws)
	SP-MIC-CHIP-3101-50A-1	Display unit for 3101-50A(not include fixed screws)
	SP-MIC-CHIP-3101-75A-1	Display unit for 3101-75A(not include fixed screws)
	SP-MIC-CHIP-3101-100A-1	Display unit for 3101-100A(not include fixed screws)
	SP-MIC-CHIP-3101-125A-1	Display unit for 3101-125A(not include fixed screws)
	SP-MIC-CHIP-3101-150A-1	Display unit for 3101-150A(not include fixed screws)
	SP-MIC-CHIP-3101-175A-1	Display unit for 3101-175A(not include fixed screws)
	SP-MIC-CHIP-3101-200A-1	Display unit for 3101-200A(not include fixed screws)
	SP-MIC-CHIP-3101-225A-1	Display unit for 3101-225A(not include fixed screws)
	SP-MIC-CHIP-3101-250A-1	Display unit for 3101-250A(not include fixed screws)
	SP-MIC-CHIP-3101-275A-1	Display unit for 3101-275A(not include fixed screws)
	SP-MIC-CHIP-3101-300A-1	Display unit for 3101-300A(not include fixed screws)
7	SP-MIC-COVER	Battery cover
8	SP-SENSOR-3101-1	Sensor assembly for 3101 series(include the base)
9	SP-FIXING SCREW-3101-1	Fixing screw(the thread is M2)