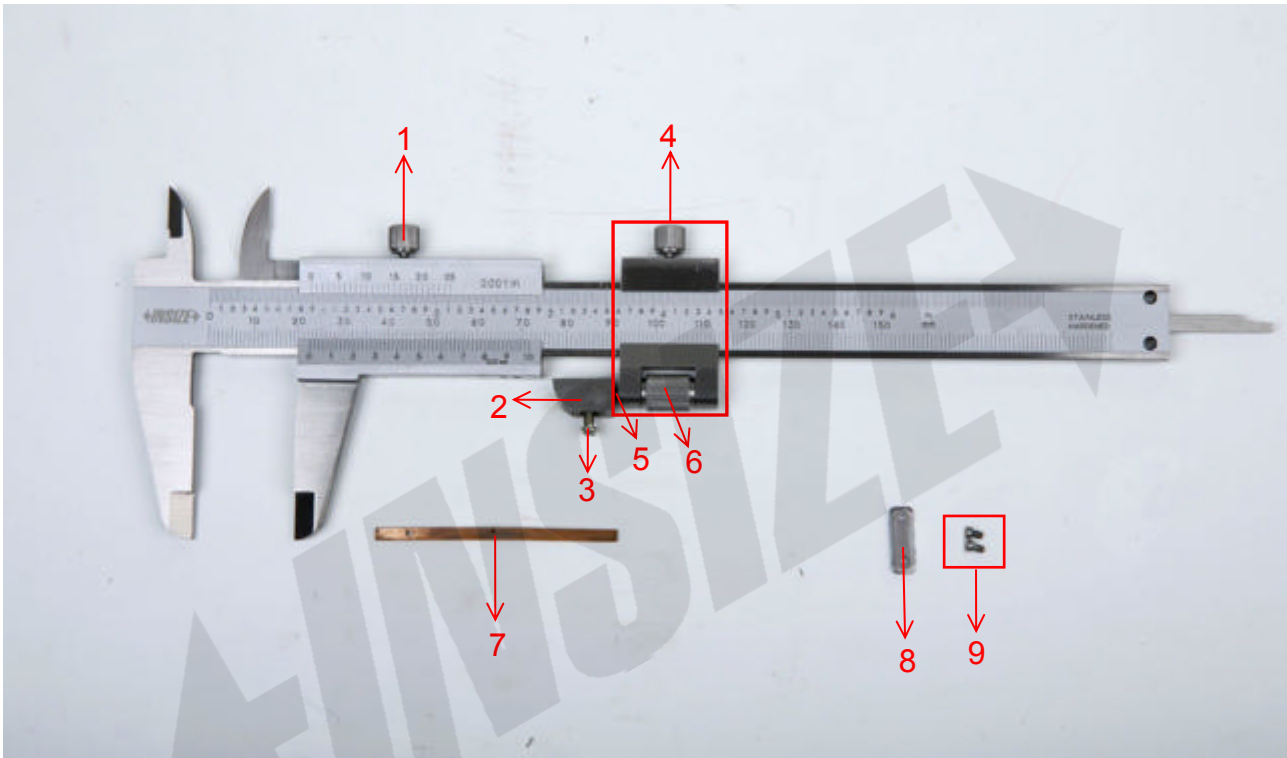


Spare parts for vernier caliper 1233 series



Part NO.	Code	Description
1	SP-LOCK-D3	Locking screw(-130/-180)
	SP-LOCK-D4	Locking screw(-280)
2	SP-SUPPORT THUMB-1233-1	Support thumb(-130/-180)
	SP-SUPPORT THUMB-1233-2	Support thumb(-280)
3	SP-SUPPORT-LOCK-1233	Support fixed screw
	SP-SUPPORT-LOCK-1233-1	Support fixed screw
4	SP-ADJUSTABLE DEVICE-1233-1	Adjustable device(-130/-180)
	SP-ADJUSTABLE DEVICE-1233-2	Adjustable device(-280)
5	SP-ROLLER SCREW-1233-1	Roller screw(-130/-180)
	SP-ROLLER SCREW-1233-2	Roller screw(-280)
6	SP-ROLLER-1233-1	Roller (-130/-180)
	SP-ROLLER-1233-2	Roller (-280)
7	SP-STRIP-1233-1	Copper strip(-130/-180)
	SP-STRIP-1233-2	Copper strip(-280)
8	SP-BAFFLE-1233-1	End stop plate (-130/-180)
	SP-BAFFLE-1233-2	End stop plate (-280)
9	SP-STOP-LOCK-1233-1	Stop screw (-130/-180)
	SP-STOP-LOCK-1233-2	Stop screw (-280)