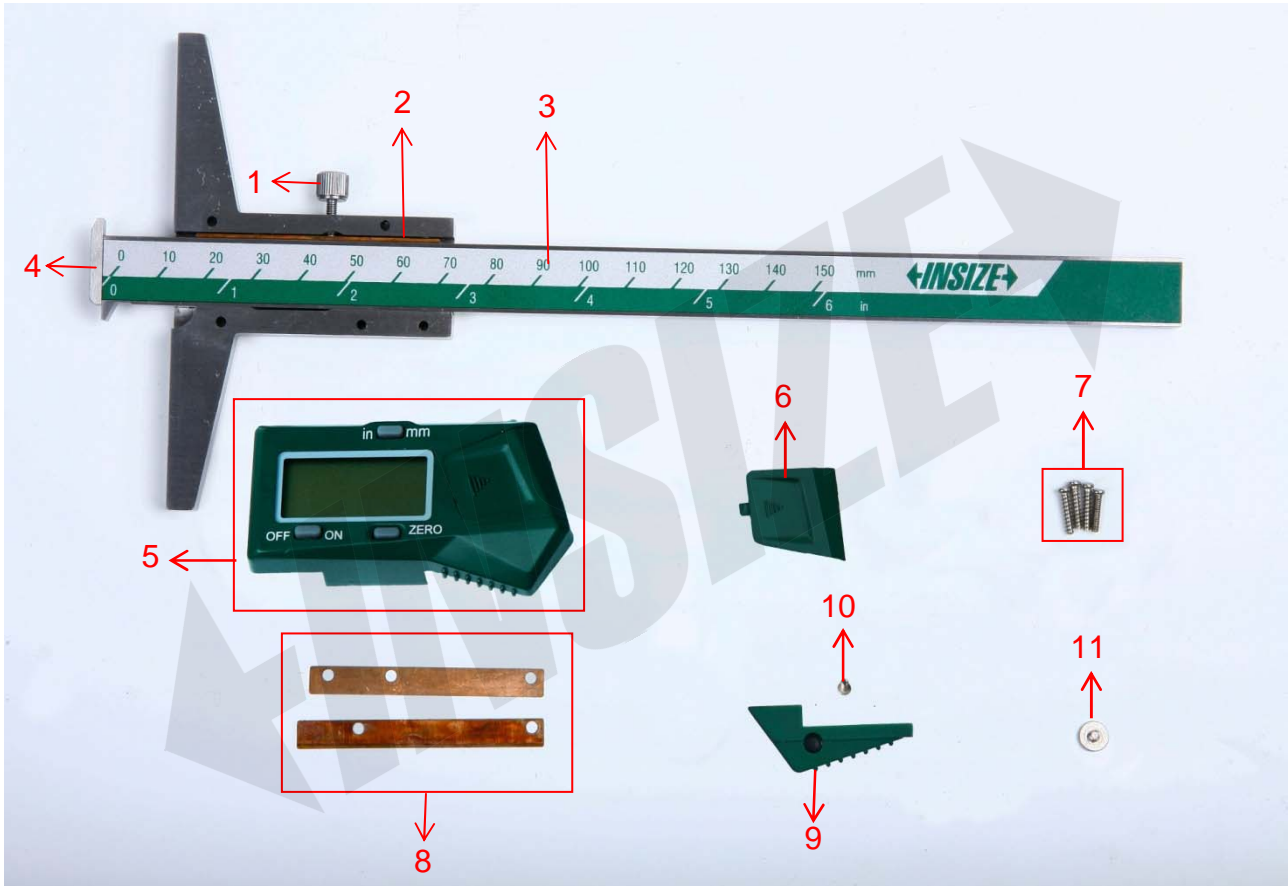


## Spare parts for digital depth gage 1144 series



Part NO.	Code	Description
1	SP-LOCK-D1	Locking screw (-150/-200/-300)
2	SP-STRIP-1112	Copper strip
3	SP-STICKER-C150	Sticker (-150)
	SP-STICKER-C200	Sticker (-200)
	SP-STICKER-C300	Sticker (-300)
4	SP-HEAD PLATE-300	Head plate (-150/-200/-300)
	SP-PLATE SCREW-1144	Plate fixed screw for 1144-150/-200/-300
5	SP-CHIP-1108-6	Display unit for 1144 series (include part NO. 6)
6	SP-COVER-1108-1	Battery cover
7	SP-CHIP SCREW-1108	Chip fixed screw
8	SP-COPPER BACKING-1108-2	Copper backing(0.05mm thickness)
9	SP-SUPPORT-1108-8W	Support without thumb roller
10	SP-SUPPORT SCREW-1108-1	Support fixed screw
11	SP-STOP-D6	Stop screw