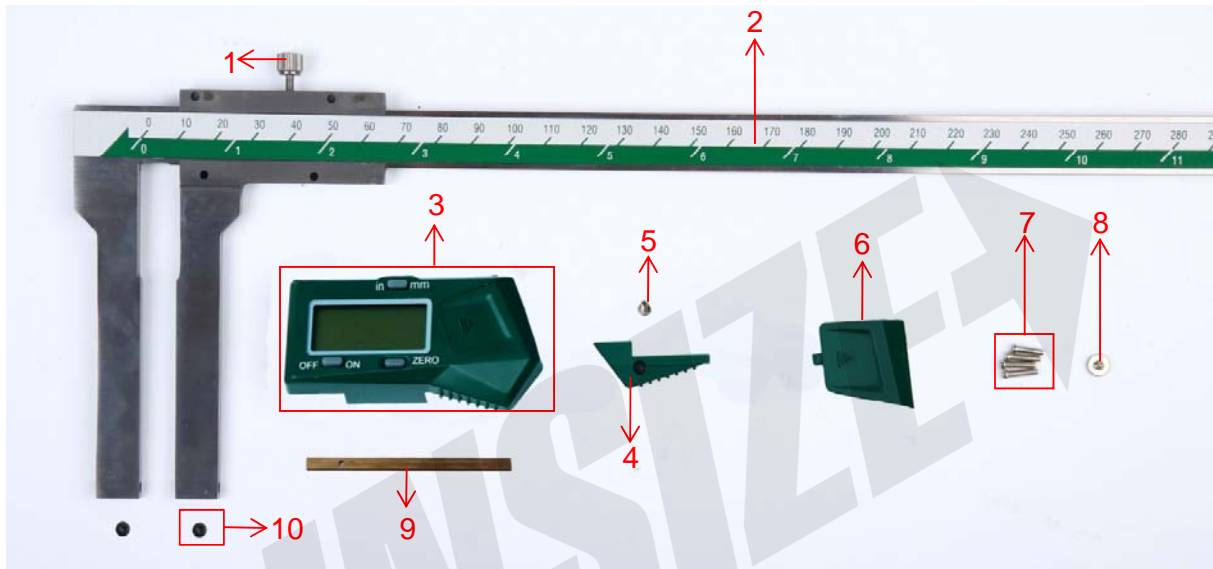


Spare parts for digital caliper with interchangeable points 1124 series



Part NO.	Code	Description
1	SP-LOCK-D1	Locking screw
2	SP-STICKER-C300	Sticker for 1124-300
3	SP-CHIP-1108-9A	Display unit for 1124 series (include part NO. 6)
4	SP-SUPPORT-1108-8W	Support without thumb roller
5	SP-SUPPORT SCREW-1108-1	Support fixed screw
6	SP-COVER-1108-1	Battery cover
7	SP-CHIP SCREW-1108	Chip fixed screw
8	SP-STOP-D6	Stop screw
9	SP-STRIP-1112	Copper strip
10	SP-SCREW-1124	Locking screw for interchangeable points