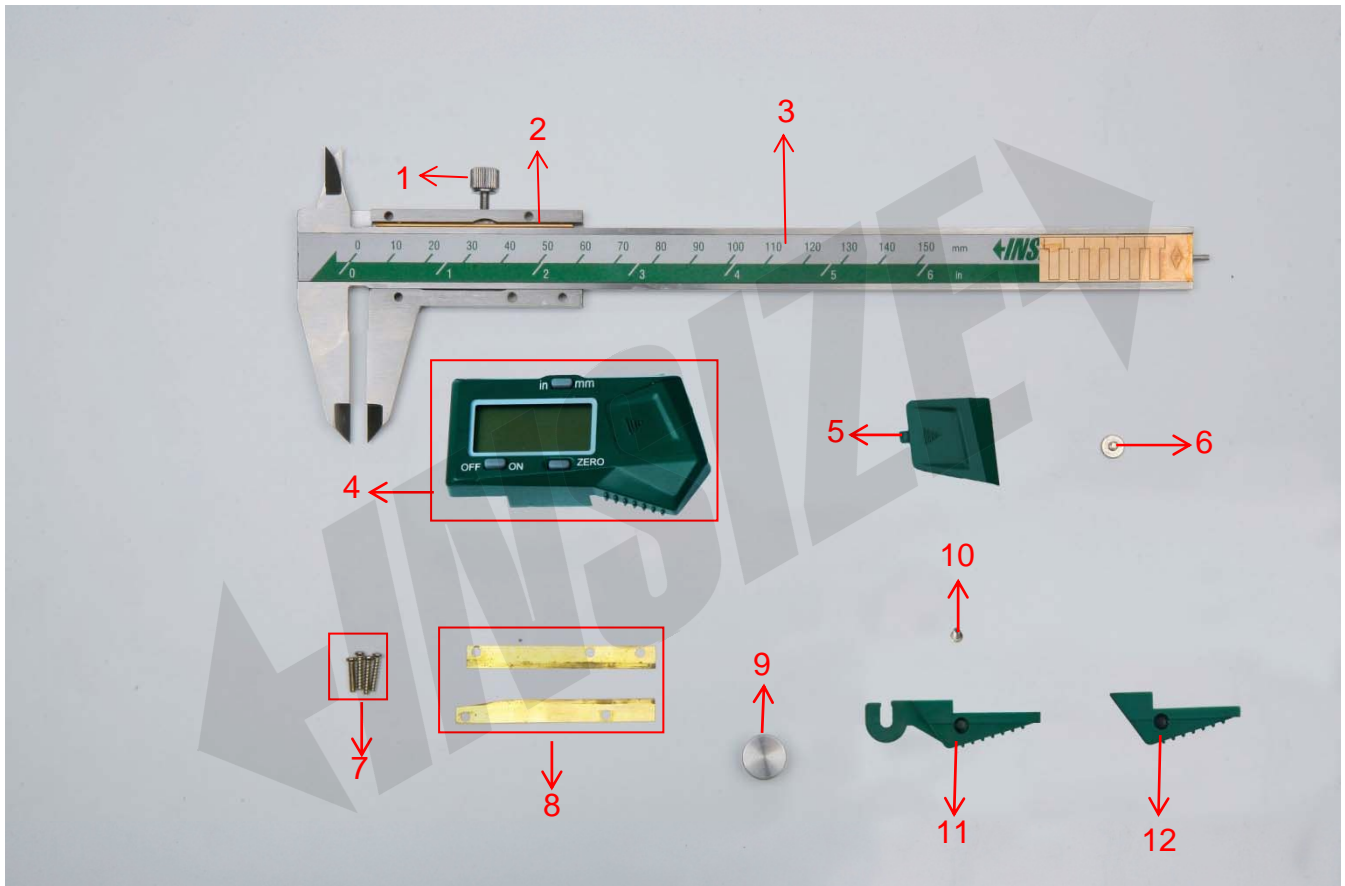


Spare parts for digital caliper 1119 series



Part NO.	Code	Description
1	SP-LOCK-D1	Locking screw (-150)
2	SP-STRIP-1112	Copper strip
3	SP-STICKER-C150	Sticker (-150)
4	SP-CHIP-1108-6	Display unit for 1119-150 (include part NO. 5)
5	SP-COVER-1108-1	Battery cover
6	SP-STOP-D6	Stop screw
7	SP-CHIP SCREW-1108	Chip fixed screw
8	SP-COPPER BACKING-1108-2	Copper backing(0.05mm thickness)
9	SP-WHEEL-GL1	Thumb wheel (-150)
10	SP-SUPPORT SCREW-1108-1	Support fixed screw