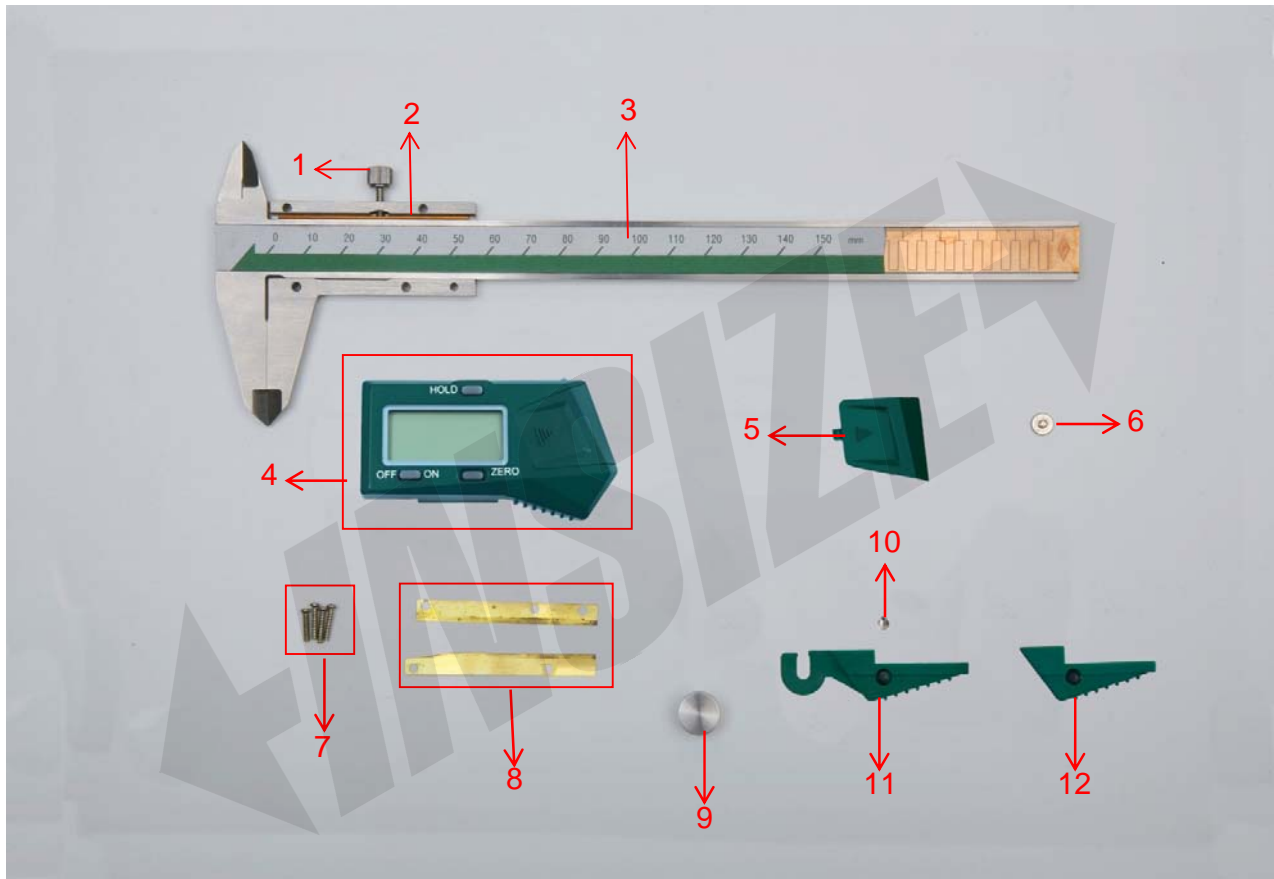


## Spare parts for digital caliper 1109 series



Part NO.	Code	Description
1	SP-LOCK-D1	Locking screw (-150/-200/-300)
2	SP-STRIP-1112	Copper strip
3	SP-STICKER-C150-6	Sticker (-150)
	SP-STICKER-C200-6	Sticker (-200)
	SP-STICKER-C300-6	Sticker (-300)
4	SP-CHIP-1109-3	Display unit for 1109 series (include part NO. 5)
5	SP-COVER-1108-1	Battery cover
6	SP-STOP-D6	Stop screw
7	SP-CHIP SCREW-1108	Chip fixed screw
8	SP-COPPER BACKING-1108-2	Copper backing(0.05mm thickness)
9	SP-WHEEL-GL1	Thumb wheel for 1108-150 with 3.2mm thickness main scale
	SP-WHEEL-GL1-150	Thumb wheel for 1108-150 with 3.6mm thickness main scale
	SP-WHEEL-GL2	Thumb wheel for 1108-200 with 3.6mm thickness main scale
	SP-WHEEL-GL3	Thumb wheel for 1108-300 with 3.8mm thickness main scale
10	SP-SUPPORT SCREW-1108-1	Support fixed screw
11	SP-SUPPORT-1108-6	Thumb wheel support (-150/-200)
	SP-SUPPORT-1108-7	Thumb wheel support (-300)
12	SP-SUPPORT-1108-8W	Support without thumb roller