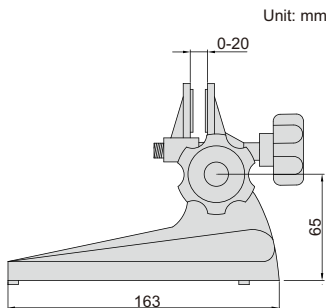


MICROMETER STAND

- Suitable for micrometers up to 100mm

Code

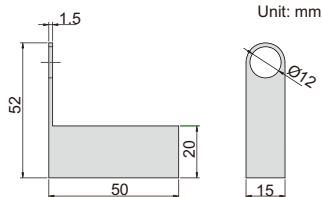
6301



6301



6301-1

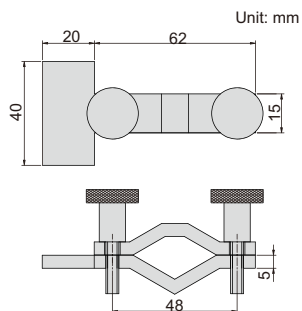


- Suitable for inside micrometers

Code	Description	Applicable products
6301-1	clamp for inside micrometers	all sizes of 3220 series



6301-2



- Suitable for three points internal micrometers

Code	Description	Applicable products
6301-2	clamp for three points internal micrometers	up to 100mm of 3127 and 3227 series

