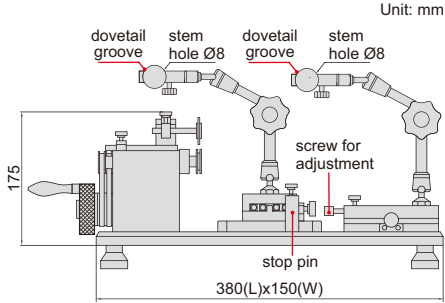


QUICK-POSITIONING, SUITABLE FOR MASS MEASUREMENT

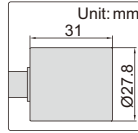


CONCENTRICITY GAGES

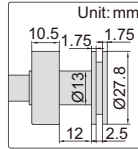


- With ball bearing, high stability, long working life
- Accuracy: 2 μ m
- Optional accessory: dial test indicator

| Code | Applicable diameter |
|--------|---------------------|
| 4726-1 | Ø3-40mm |
| 4726-2 | Ø1-40mm |

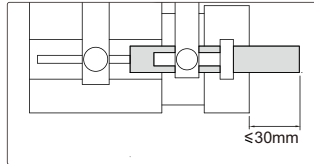


4726-1

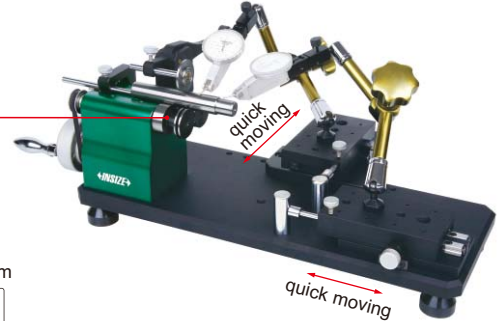


4726-2

recommended outstretch length ≤ 30 mm



dial test indicator is not included



4726-2