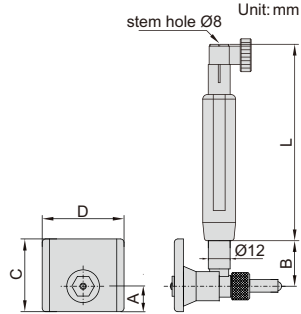




**SELF-POSITIONING, NO NEED TO FIND TURNING POINT (MINIMUM VALUE)**

- Self-positioning, no need to find turning point (minimum value)
- Carbide contact point
- Optional accessory:
  - 0.01mm or 0.001mm graduation dial indicators
  - or dial comparator
  - Setting ring (code **6312**)

## SEIF-POSITIONING BORE GAGES



dial indicator is not included



**2431-80**

Code	Range	Accuracy (without dial indicator)	Repeatability (without dial indicator)	(mm)				
				A	B	C	D	L
<b>2431-35</b>	20-35mm	2µm	1µm	9	21	12	16	89
<b>2431-55</b>	35-55mm	2µm	1µm	10	23	30	28	96
<b>2431-80</b>	50-80mm	2µm	1µm	15	25	40	45	108
<b>2431-120</b>	80-120mm	2µm	1µm	15	25	40	60	108
<b>2431-170</b>	120-170mm	2µm	1µm	18	30	50	88	119