

DIGITAL LEVEL AND PROTRACTOR

IP67
WATERPROOF

ABSOLUTE
LEVEL

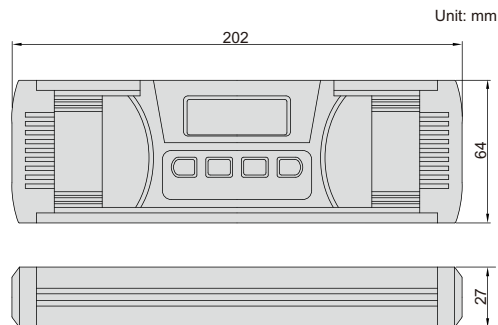
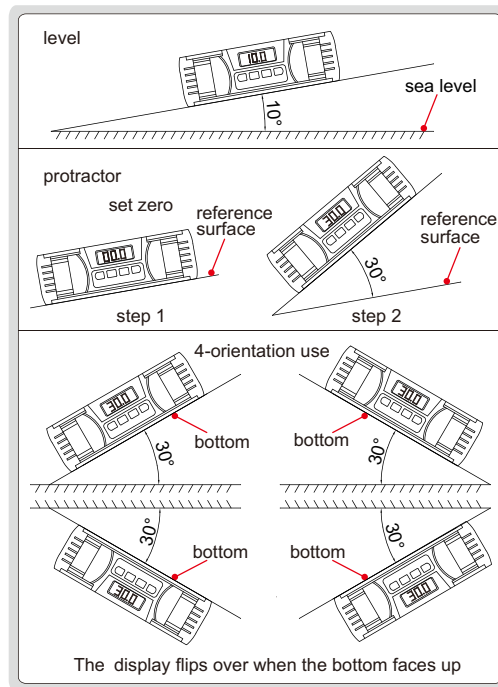
BACKLIGHT

Buzzer Alarm
AT 0° AND 90°



2175-360

- IP67 dust/waterproof
- Aluminum frame, shock absorbing rubber end caps
- Magnetic bottom with V-groove for shafts
- The sea level is permanently set inside the chip, zero setting is not needed when batteries are replaced
- Buttons: ON/OFF, backlight/buzzer alarm, absolute and incremental measurement, unit (mm/m, %, °), HOLD (keep the reading)
- Three AAA batteries
- Automatic power off



Code	Range	Resolution	Accuracy
2175-360	0~360° (90°x4)	0.05° (=0.873mm/m)	0°: ±0.05°; others: ±0.1°