

**DATA  
OUTPUT**

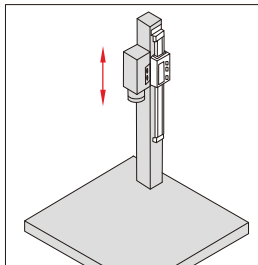
data output cable



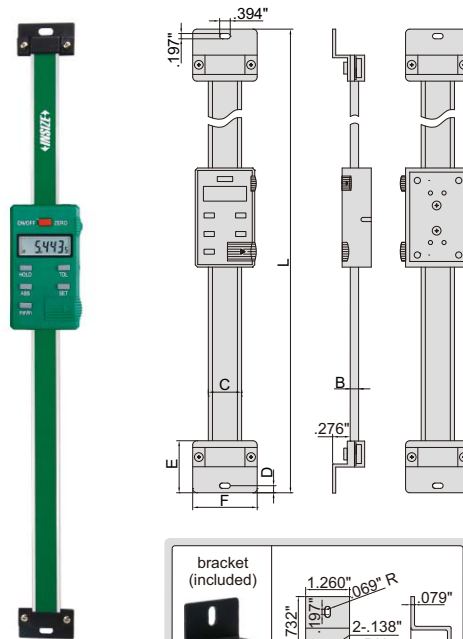
**7302-SPC7**

- Resolution .0005"/0.01mm
- Buttons: on/off, zero, inch/mm, ABS/INC, data hold, TOL, set
- ABS/INC is for absolute and incremental measurement
- TOL is for tolerance measurement
- Battery LR44
- Made of stainless steel
- Data output
- Supplied with bracket to be mounted on the back
- Optional accessory: data output cable (part no. **7302-SPC7**, keyboard format)

example of application



## ELECTRONIC VERTICAL SCALES



**7102-300**

Part No.	Range	Accuracy	B	C	D	E	F	L
<b>7102-100</b>	4"/100mm	±.0008"	.157"	.787"	.236"	.945"	1.575"	9.646"
<b>7102-150</b>	6"/150mm	±.0012"	.157"	.787"	.236"	.945"	1.575"	11.654"
<b>7102-200</b>	8"/200mm	±.0012"	.157"	.787"	.236"	.945"	1.575"	13.583"
<b>7102-300</b>	12"/300mm	±.0016"	.157"	.787"	.236"	.945"	1.575"	17.520"
<b>7102-400</b>	16"/400mm	±.0020"	.157"	.787"	.236"	.945"	1.575"	21.457"
<b>7102-500</b>	20"/500mm	±.0020"	.217"	.945"	.315"	1.260"	1.772"	26.969"
<b>7102-600</b>	24"/600mm	±.0031"	.217"	.945"	.315"	1.260"	1.772"	30.906"
<b>7102-800</b>	32"/800mm	±.0039"	.217"	.945"	.315"	1.260"	1.772"	38.780"
<b>7102-1000</b>	40"/1000mm	±.0039"	.413"	1.220"	.984"	1.575"	2.362"	49.016"

