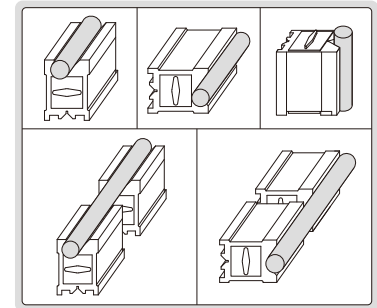
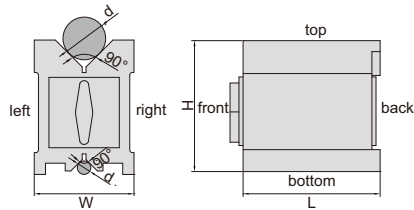


# MAGNETIC V-BLOCKS

HARDENED SURFACES

HIGH PRECISION

STRONG MAGNETIC FORCE



- Hardened, high accuracy, strong magnetic force, for grinding, light milling, drilling and inspection of round and square jobs
- All working surfaces are hardened to HRC60±2
- Magnetic force on top, bottom and two V grooves
- V groove on the top for large shafts
- V groove on the bottom for small shafts
- Suitable for cast iron surface plates and granite surface plates

## Individual

Part No.	Size (LxWxH)	Range of shafts (d)	Magnetic force	Parallelism of V groove to top, bottom, left, right sides	Squareness of V groove to back side
6889-11	3.0x2.2x3.0"	.20-1.57"DIA	187lbf	197µin	197µin
6889-22	3.9x2.8x3.7"	.20-2.56"DIA	330lbf	197µin	197µin
6889-33	5.9x3.0x3.9"	.20-2.76"DIA	419lbf	236µin	236µin
6889-55	6.3x4.9x5.1"	.20-5.51"DIA	485lbf	472µin	472µin
6889-44	7.9x4.9x5.9"	.39-5.51"DIA	882lbf	472µin	472µin

## Matched pair

Part No.	Size (LxWxH)	Range of shafts (d)	Magnetic force	Parallelism of V grooves to top, bottom, left, right sides	Squareness of V grooves to back side	Height difference of a matched pair
6889-1	3.0x2.2x3.0"	.20-1.57"DIA	187lbf	197µin	197µin	197µin
6889-2	3.9x2.8x3.7"	.20-2.56"DIA	330lbf	197µin	197µin	197µin
6889-3	5.9x3.0x3.9"	.20-2.76"DIA	419lbf	236µin	236µin	236µin
6889-5	6.3x4.9x5.1"	.20-5.51"DIA	485lbf	472µin	472µin	472µin
6889-4	7.9x4.9x5.9"	.39-5.51"DIA	882lbf	472µin	472µin	472µin