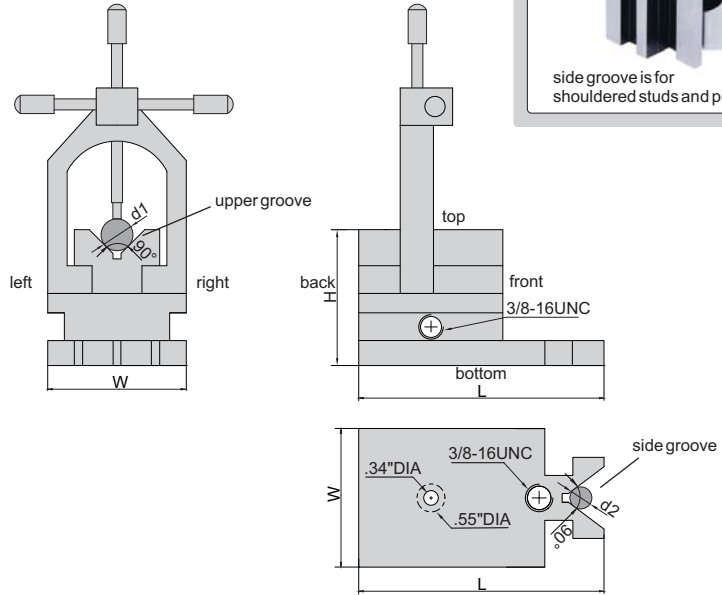


V-BLOCK



6804-1



- Hold cylindrical workpieces for inspection and machining
- Hardened to HRC60±2

Part No.	Size (LxWxH)	Range of shafts (d1 and d2)	Parallelism of upper groove to bottom, left and right sides	Squareness of upper groove to back side	Parallelism of side groove to back side
6804-1	3.5"x1.9"x1.9"	.20" -1.30" DIA	197µin	197µin	197µin