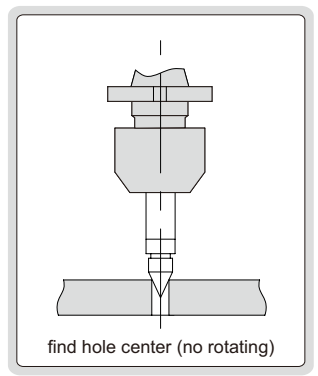
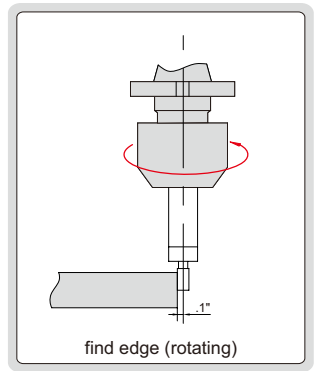
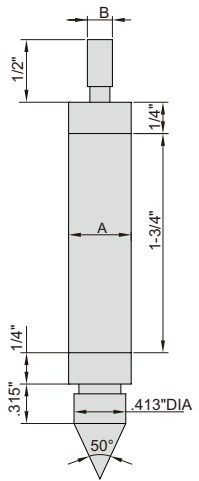


EDGE AND CENTER FINDER



6569-1E



- Hardened shank and contact point
- To find edge and hole center

Part No.	Shank (A)	Contact point (B)	Accuracy
6569-1E	1/2" DIA	.2" DIA	±.0002"