

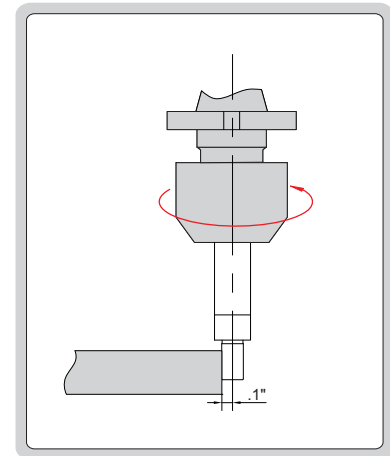
EDGE FINDER



6567-1E



- Hardened shank and contact point



PartNo.	Shank (A)	Contact point (B)	Accuracy
6567-1E	3/8" DIA	.2" DIA	.0003"