

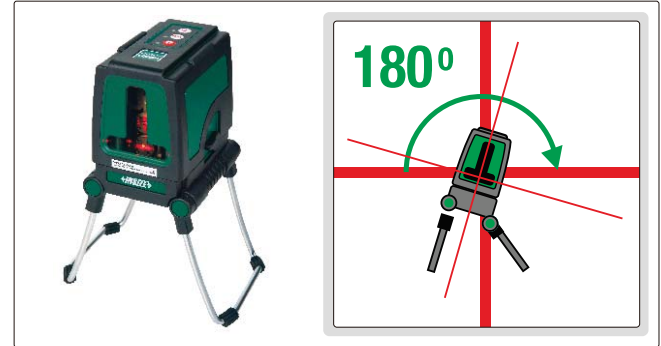
CROSS-LINE LASER LEVEL PART NO. 4917-30

IP54
WATERPROOF

"OUT OF $\pm 3^\circ$ " AUDIBLE
AND VISUAL WARNING



folding legs for angle and height adjustment



application examples



- Red horizontal and vertical cross laser lines
- Self-leveling within $\pm 3^\circ$, self-leveling time within 4s, "out of $\pm 3^\circ$ " audible and visual warning
- Folding legs for angle and height adjustment

SPECIFICATION

| | |
|-----------------------|---|
| Laser line width | .079 \pm .02"/16.4ft |
| Laser type | 630~660nm, class II, <1mW |
| Beam angle | 120 \pm 0.5 $^\circ$ |
| Self-leveling range | $\pm 3^\circ$ |
| Working distance | indoor: 98.4ft, outdoor: 164ft with detector (optional) |
| Accuracy | .0024"/ft |
| Operation temperature | -14~104 $^\circ$ F |
| Power supply | 3 \times AA batteries, for 3 hours continuous operation |
| Dimension | 3.94 \times 3.23 \times 4.09" |
| Weight | 1.38lb |

STANDARD DELIVERY

| | |
|-----------------------------|-------|
| Main unit | 1 pc |
| 1/4" to 5/8" tripod adaptor | 1 pc |
| Battery (AA) | 3 pcs |

OPTIONAL ACCESSORY

| | |
|------------------|---------------|
| Outdoor detector | 4917-DETECTOR |
|------------------|---------------|