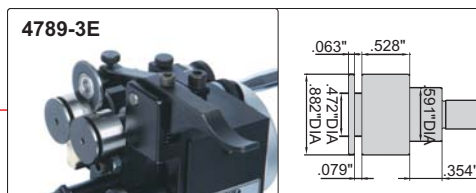
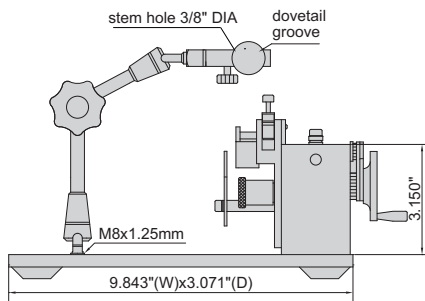


# CONCENTRICITY GAGE



- Accuracy .00008"
- Optional accessory: dial test indicator, mini magnetic stand (part no. 6224-40E)

Part No.	Applicable diameter
4789-1E	.138" DIA-.984" DIA
4789-2E	.039" DIA-.984" DIA
4789-3E	.039" DIA-.984" DIA

maximum workpiece length 2.953",  
maximum outstretch length 1.181"

