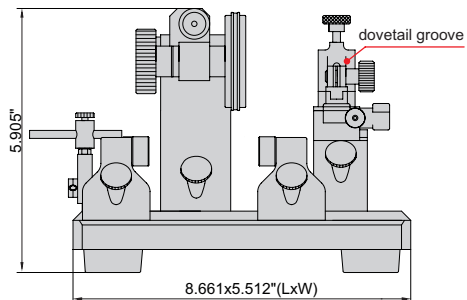


CONCENTRICITY GAGE



dial test indicator is not included



Part No.	Accuracy	Diameter range	Workpiece length		Load
			Without optional stand	With optional stand	
4724-25	.0001"	.118-.984"	0-8.661"	0-4.472"	11.03lb

Application



4724-STAND

Stand (optional)

Part No.

4724-STAND

