

DIAL DEPTH GAGE WITH 60° BASE

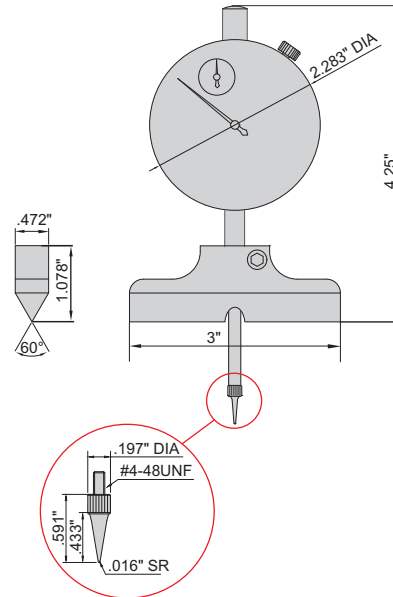


front view



side view

2345-E1



Part No.	Range
2345-E1	0-1"

- Dial indicator graduation: .001"
- Accuracy: $\pm .002$ "
- Stainless steel base