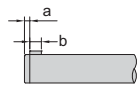
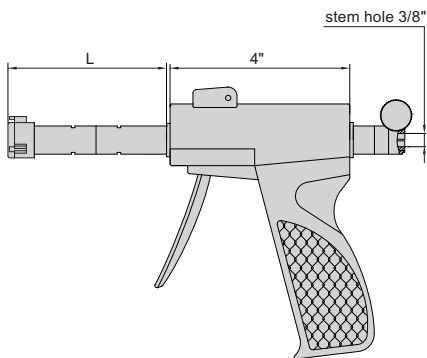


# PISTOL GRIP THREE POINTS BORE GAGE

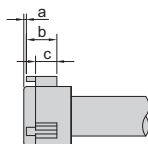


**Type A**  
.275-.5", steel  
measuring points



2124-E035

electronic indicator is  
not included

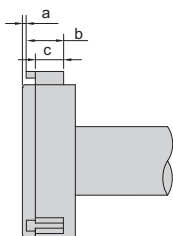


**Type B**  
.5-2", carbide  
measuring points



2124-E1

electronic indicator is  
not included



**Type C**  
2-12", carbide  
measuring points



2124-E5

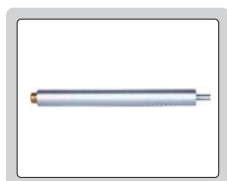
electronic indicator is  
not included

setting ring



.275-4": included  
4-12": optional

extension rod



included

interchangeable jaws



4-12": have two sets  
of jaws for different measuring range  
(for example, 2124-E5 has 4-4.5" and 4.5-5" jaws)

To be continued

Continued from previous page

### Manufacturer Inspection Certificate

<b>INSIZE</b>		Inspection Certificate	
Product name	Pistol Grip Three Points Bore Gage	Traceable to	Germany 10339/D-K-15015-01-02/2012-09
Code No.	2124-E112		Germany 31-0830/DKD-K-06901/2012-09
Measuring range	1-1.2"	Inspector	<i>Paulo</i>
Serial No.	0910142544	Judgement	Passed
Standard temperature	68 °F		
			Unit: inch
Actual Ring Size(inch)	Permissible Error	Measured Deviation	
1.02360	.00016	0	
1.10228		.00010	
1.18107		.00010	

- Optional accessory:  
 electronic indicators  
 (part no. **2103-10FE**, resolution .00005"/0.001mm)  
 or dial indicators (graduation .00005"),  
 setting rings (part no. **6313**)

#### Individual

Part No.	Range	Type	Accuracy	Setting ring	Extension rod (included)	L	a	b	c
2124-E035*	.275-.35"	A	.00016"	.275" DIA (included)	4"	2"	.059"	.098"	—
2124-E0425*	.35-.425"	A	.00016"	.35" DIA (included)	4"	2"	.059"	.098"	—
2124-E05*	.425-.5"	A	.00016"	.5" DIA (included)	4"	2"	.059"	.098"	—
2124-E065*	.5-.65"	B	.00016"	.65" DIA (included)	6"	2.6"	.020"	.236"	.177"
2124-E08*	.65-.8"	B	.00016"	.65" DIA (included)	6"	2.6"	.020"	.236"	.177"
2124-E1*	.8-1"	B	.00016"	1" DIA (included)	6"	3.64"	.020"	.315"	.236"
2124-E112*	1-1.2"	B	.00016"	1" DIA (included)	6"	3.64"	.020"	.315"	.236"
2124-E16*	1.2-1.6"	B	.00016"	1.6" DIA (included)	6"	3.88"	.020"	.551"	.472"
2124-E2*	1.6-2"	B	.00020"	1.6" DIA (included)	6"	3.88"	.020"	.551"	.472"
2124-E25*	2-2.5"	C	.00020"	2.5" DIA (included)	6"	4.48"	.020"	.689"	.571"
2124-E3*	2.5-3"	C	.00020"	2.5" DIA (included)	6"	4.48"	.020"	.689"	.571"
2124-E35*	3-3.5"	C	.00020"	3.5" DIA (included)	6"	4.48"	.020"	.689"	.571"
2124-E4*	3.5-4"	C	.00020"	3.5" DIA (included)	6"	4.48"	.020"	.689"	.571"
2124-E5*	4-5"	C	.00020"	4.5" DIA (optional)	6"	5.2"	.020"	.768"	.571"
2124-E6*	5-6"	C	.00020"	5.5" DIA (optional)	6"	5.2"	.020"	.768"	.571"
2124-E7*	6-7"	C	.00020"	6.5" DIA (optional)	6"	5.2"	.020"	.768"	.571"
2124-E8*	7-8"	C	.00020"	7.5" DIA (optional)	6"	5.2"	.020"	.768"	.571"
2124-E9	8-9"	C	.00028"	8.5" DIA (optional)	6"	5.2"	.020"	.768"	.571"
2124-E10	9-10"	C	.00028"	9.5" DIA (optional)	6"	5.2"	.020"	.768"	.571"
2124-E11	10-11"	C	.00028"	10.5" DIA (optional)	6"	5.2"	.020"	.768"	.571"
2124-E12	11-12"	C	.00028"	11.5" DIA (optional)	6"	5.118"	.020"	.768"	.571"

#### Set

Part No.	Range	Probes (included)	Setting ring (included)	Extension rod (included)
2124-E053*	.275-.5"	.275-.35", .35-.425", .425-.5"	.275" DIA, .35" DIA, .5" DIA	4"
2124-E082*	.5-.8"	.5-.65", .65-.8"	.65" DIA	6"
2124-E24*	.8-2"	.8-1", 1-1.2", 1.2-1.6", 1.6-2"	1" DIA, 1.6" DIA	6"
2124-E44*	2-4"	2-2.5", 2.5-3", 3-3.5", 3.5-4"	2.5" DIA, 3.5" DIA	6"



2124- E24

\* Supplied with manufacturer inspection certificate