

# ELECTRONIC V TYPE CALIPERS

DIRECT READING,  
CALCULATION IS NOT REQUIRED

DATA  
OUTPUT

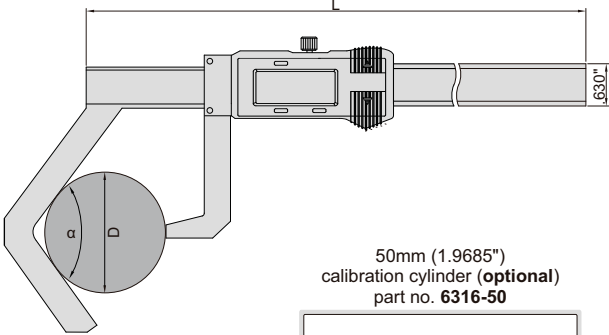


1529-5

data output cable (optional)  
part no. 7302-SPC9



- Measure the outside diameter of number of flutes (such as taps, reamers, end mills and gears)
- Direct reading, calculation is not required
- Resolution: .0005"/0.01mm
- Buttons: mm/inch, on/off, origin set
- Battery LR44, automatic power off
- After automatic power off, move the digital unit to turn on power
- Data output
- Made of stainless steel
- Optional accessory: 50mm (1.9685") calibration cylinder (part no. 6316-50), data output cable (part no. 7302-SPC9)



50mm (1.9685")  
calibration cylinder (optional)  
part no. 6316-50



Part No.	Range (D)	Flutes	Accuracy	Angle α	L
1529-3	2-8"/50-200mm	3	±.0024"	60°	15.35"
1529-5	2-8"/50-200mm	5	±.0024"	108°	12.52"
1529-19	2-8"/50-200mm	19	±.0024"	85°15'47"	13.23"
1529-23	2-8"/50-200mm	23	±.0024"	70°26'5"	14.25"
1529-31	2-8"/50-200mm	31	±.0024"	75°29'2"	13.98"