

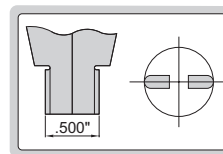
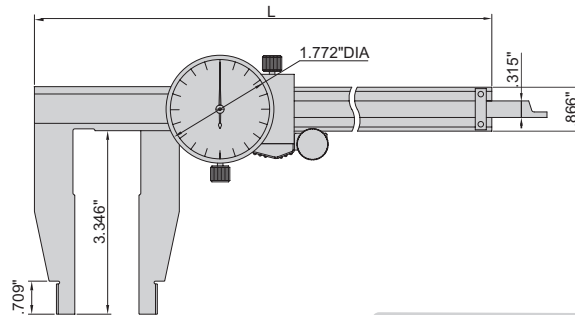
DIAL CALIPER

SHOCK
PROOF



1316-18

- Shockproof dial indicator
- Graduation .001"
- Made of stainless steel



Part No.	Range	Accuracy	L
1316-18	0-18"	±.0020"	22.835"
1316-24	0-24"	±.0020"	28.740"