

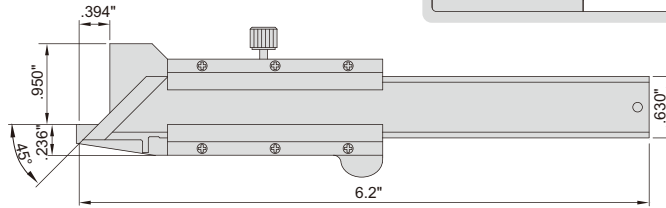
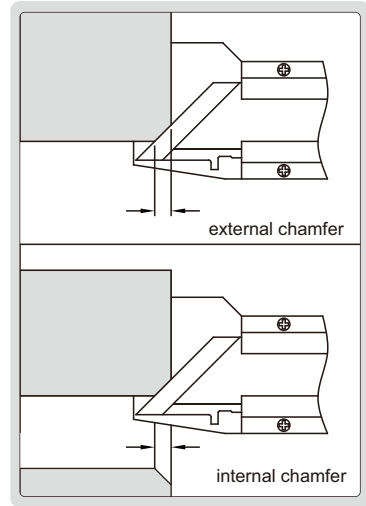
CHAMFER GAGE



1267-02

- Measure 45° chamfer dimension
- Graduation .001"
- Made of stainless steel
- Satin chrome plated reading surface

measure 45° chamfer dimension



Part No.	Range	Accuracy
1267-02	0 - .2"	±.003"