

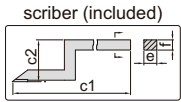
ELECTRONIC HEIGHT GAGES

- Resolution .0005"/0.01mm
- Buttons: on/off, zero, inch/mm, ABS/INC, data hold, TOL, set
- ABS/INC is for absolute and incremental measurement
- TOL is for tolerance measurement
- Carbide tipped scriber
- Made of stainless steel (except the base)
- LR44 battery, data output
- Supplied with dial test indicator holder
- Supplied with dust cover (except 1150-1500E/2000E)
- Optional accessory: data output cable (part no. 7302-SPC7, keyboard format)

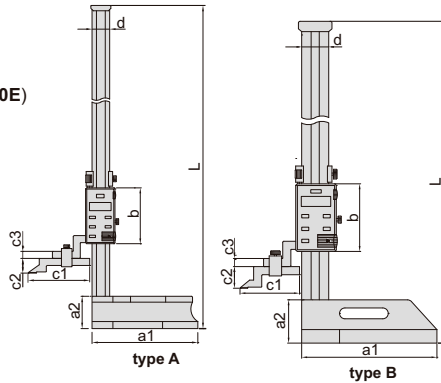
ATTENTION:
LOW ACCURACY

ATTENTION: CAN NOT USE CLAMP FOR
PROTRACTORS (PART NO.2372-CLAMP)

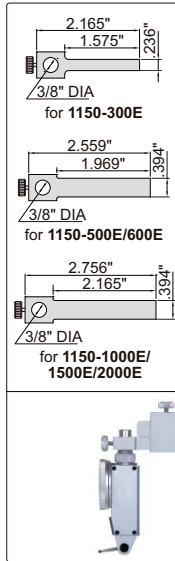
DATA
OUTPUT



dust cover (included,
except 1150-1500E/2000E)



dial test indicator
holder (included)



1150-500E



1150-1000E

Part No.	Range	Type	Accuracy	L	a1	a2	b	c1	c2	c3	d	e	f
1150-300E	0-12"/0-300mm	A	±.0020"	18.504"	5.315"	1.772"	3.150"	2.992"	.984"	.394"	.906"	.236"	.315"
1150-500E	0-20"/0-500mm	A	±.0024"	28.346"	7.087"	2.165"	3.740"	4.055"	.984"	.472"	1.181"	.394"	.472"
1150-600E	0-24"/0-600mm	B	±.0024"	32.283"	7.087"	2.165"	3.740"	4.055"	.984"	.472"	1.181"	.394"	.472"
1150-1000E	0-40"/0-1000mm	B	±.0031"	50.197"	9.843"	3.150"	4.921"	4.331"	1.535"	.591"	1.969"	.394"	.591"
1150-1500E	0-60"/0-1500mm	B	±.0047"	70.472"	11.024"	3.150"	4.921"	4.331"	1.535"	.591"	1.969"	.394"	.591"
1150-2000E	0-80"/0-2000mm	B	±.0063"	90.157"	11.024"	3.150"	4.921"	4.331"	1.535"	.591"	1.969"	.394"	.591"