

DATA
OUTPUT

MINI ELECTRONIC HEIGHT GAGE



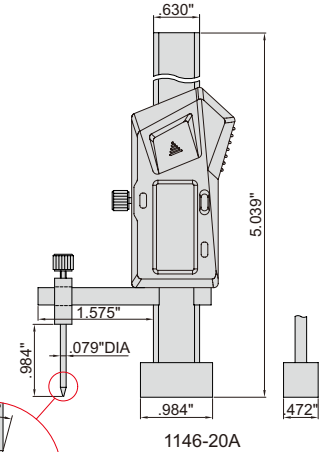
1146-20A



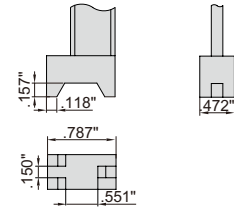
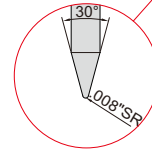
1146-20B

- Measure height difference of two surfaces (1146-20B suitable for surfaces with barrier, such as rivet)
- Resolution: .0005"/0.01mm
- Buttons: on/off, zero, inch/mm
- Automatic power off, move the digital unit to turn on power
- Battery CR2032
- Data output
- Made of stainless steel
- Optional accessory: data output cable (part no. 7306-20, 7302-SPC5A/SPC5B, 7305-SPC2A)

Part No.	Range	Accuracy
1146-20A	0-.8"/0-20mm	±.0008"
1146-20B	0-.8"/0-20mm	±.0008"

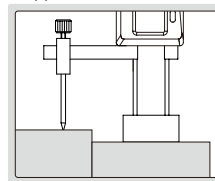


1146-20A



1146-20B

application of 1146-20A



application of 1146-20B

