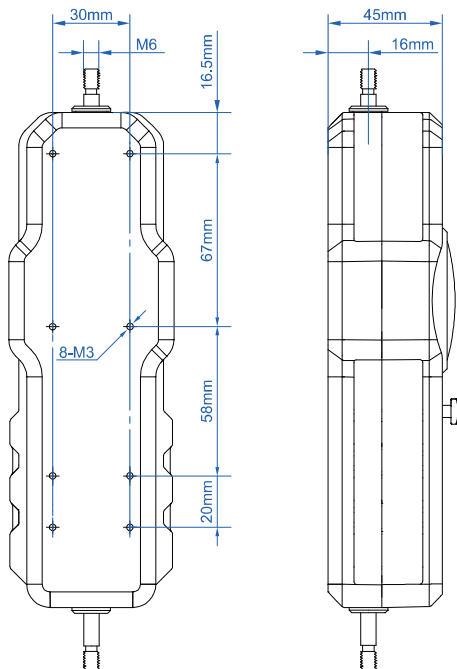


FORCE GAUGES (STANDARD TYPE)

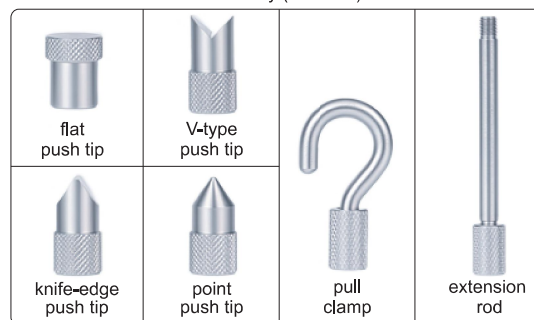


- Push and pull test
- Peak (max.) or tracking mode
- Metal case, precision internal design



ISF-HF100

accessory (included)



SPECIFICATION

Code		ISF-HF10	ISF-HF20	ISF-HF30	ISF-HF50	ISF-HF100	ISF-HF200	ISF-HF300	ISF-HF500
Capacity	N	10	20	30	50	100	200	300	500
	kgf	1	2	3	5	10	20	30	50
Graduation	N	0.05	0.1	0.15	0.25	0.5	1	1.5	2.5
	kgf	0.01	0.02	0.03	0.05	0.1	0.2	0.3	0.5
Accuracy		±0.5%FS							

STANDARD DELIVERY

Main unit	1 pc
Push tip	4 pcs (flat, V-type, knife-edge, point)
Pull clamp	1 pc
Extension rod	1 pc

OPTIONAL ACCESSORY

Test stand	ISF-MT500
Manual horizontal test stand	ISF-H20A
Manual vertical test stand	ISF-V10A