

DIGITAL FORCE GAUGES (STANDARD TYPE)



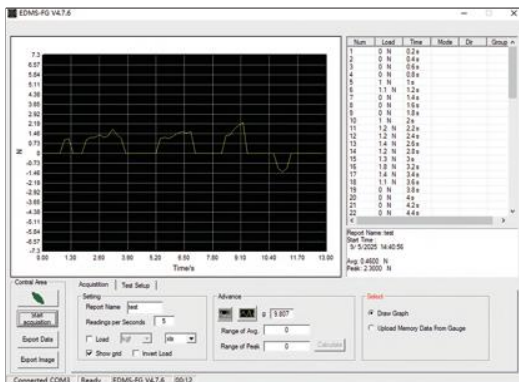
ISF-DF1KA
type A



ISF-DF1KB
type B



ISF-DF10KC
type C



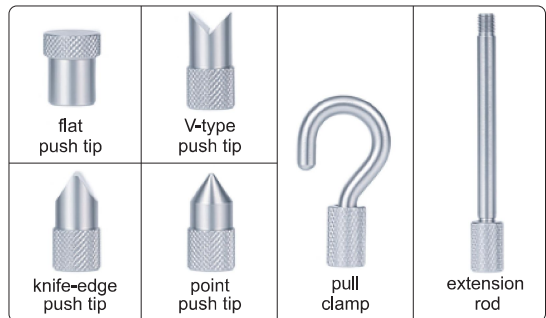
software (included)

- Type A and B can be used for tension and pressure tests, type C is only used for pressure tests
- Peak (max.) and tracking mode
- Units for type A: mN, N, gf, kgf, ozf, lbf, type B: N, kgf, lbf, kN, MPa, type C: N, kgf, lbf, kN, tf, MPa
- Tolerance testing
- 1000 memories
- Automatic power off, Overload alarm
- Metal case, touch buttons
- LCD display with backlight
- The display flips over when the bottom faces up
- Two display modes: digital mode, chart mode
- Keyboard signal, can be transmitted to Excel

printer (optional)

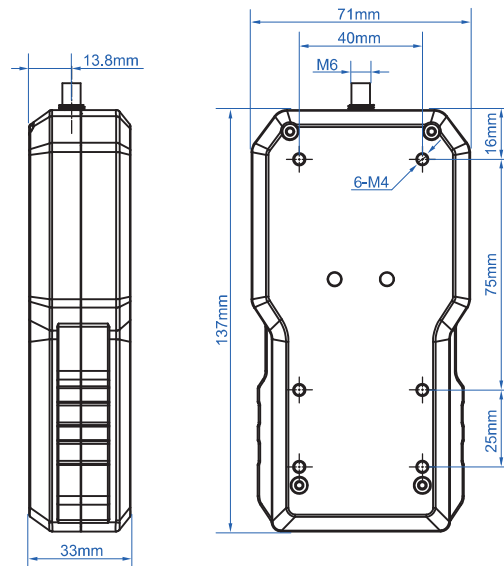


accessory for type A (included)



accessory for type B (included)





SPECIFICATION

Code	ISF-DF5A	ISF-DF10A	ISF-DF20A	ISF-DF50A	ISF-DF100A	ISF-DF200A	ISF-DF500A	ISF-DF1KA
Type	A(internal sensor)							
Load capacity (N)	5	10	20	50	100	200	500	1000
Range	5%~100%FS							
Resolution (N)	0.0005	0.001	0.005	0.005	0.01	0.05	0.05	0.1
Accuracy	±0.2%FS							
Power supply	built-in rechargeable battery							

Code	ISF-DF 1KB	ISF-DF 2KA	ISF-DF 5KA	ISF-DF 10KA	ISF-DF 20KA
Type	B (external sensor)				
Load capacity (N)	1000	2000	5000	10000	20000
Range	5%~100%FS				
Resolution (N)	0.1	0.5	0.5	1	5
Accuracy	±0.2%FS				
Power supply	built-in rechargeable battery				

Code	ISF-DF 10KC	ISF-DF 20KC	ISF-DF 50KC	ISF-DF 100KC	ISF-DF 200KC
Type	C (external sensor)				
Load capacity (kN)	10	20	50	100	200
Range	5%~100%FS				
Resolution (kN)	0.001	0.005	0.005	0.01	0.05
Accuracy	±0.2%FS				
Power supply	built-in rechargeable battery				

STANDARD DELIVERY

Main unit	1 pc	
AC/DC adapter	1 pc	
Software and USB cable	1 pc	
Push/pull accessory	type A	6 pcs (flat push tip, V-type push tip, knife-edge push tip, point push tip, pull clamp, extension rod)
	type B	4 pcs (flat push tip, adapter, pull clamps)

OPTIONAL ACCESSORY

Printer	ISF-DF-PRINTER
Test stand	ISF-MT1K
Wireless transmitter	7315-ISF-D