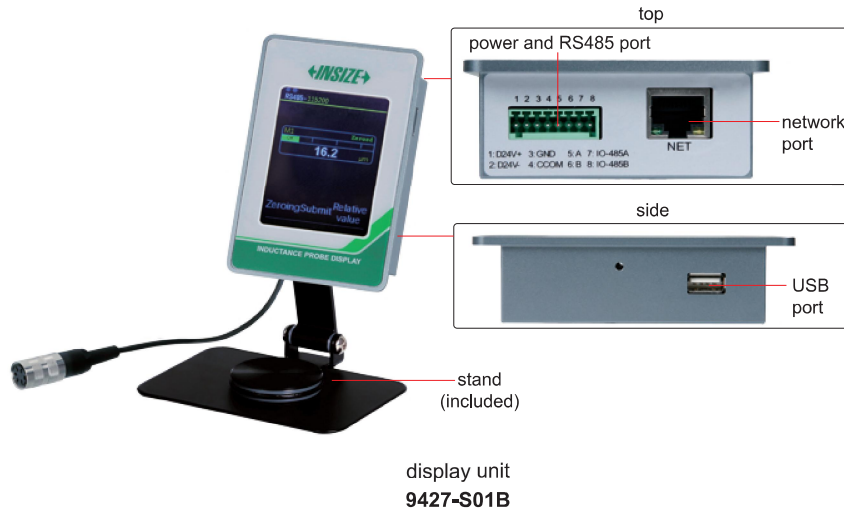


INDUCTANCE TYPE PROBE AND DISPLAY UNIT CODE 9442-SET1

UNIDIRECTION

FIXED LEVER
ANGLE

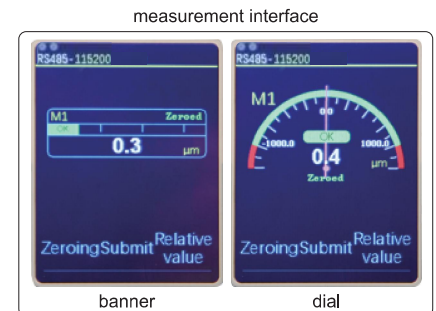


Inductance type probe:

- Lever-type, for highly accurate and repeatable displacement measurements of displacement, deformation, dimension, vibration, thickness, expansion, etc. in quality control and metrology applications

Display unit:

- Built-in high-performance AD chip, supporting multi-channel sensor display, computing, data storage, feedback output
- Up to 10 measurement programmes can be stored, with simultaneous setting of several workpiece parameters, configurable tolerances, linearity, measurement modes, etc.
- Measured values can be freely edited, stored automatically or manually, and transferred to external devices for PLC control or access to SPC analysis system



DISPLAY UNIT SPECIFICATION

Channel number	1 (can be customized up to 4 channels)
Display	3,5" touchable LCD screen
Display mode	banner display, dial display
Unit	µm, mm
Resolution (µm)	0.1, 1
Communication port *	RS485 (Modbus RTU)
Sampling time (ms)	2, 4, 8, 16, 32 (adjustable)
Operation environment	0~40°C, <80% (non-condensing)
Storage environment	-20~50°C, <80% (non-condensing)
Power supply	DC 24V
Dimension (L×W×H)	113×73×30mm
Net weight	252g

* Optional RS232 (Modbus RTU), network port (Modbus TCP and EtherNet/IP), WIFI (Modbus TCP and EtherNet/IP) or I/O

DISPLAY UNIT STANDARD DELIVERY

Main unit	1 pc
Power and RS485 cable	1 pc
Stand	1 pc

spindle runout measurement application

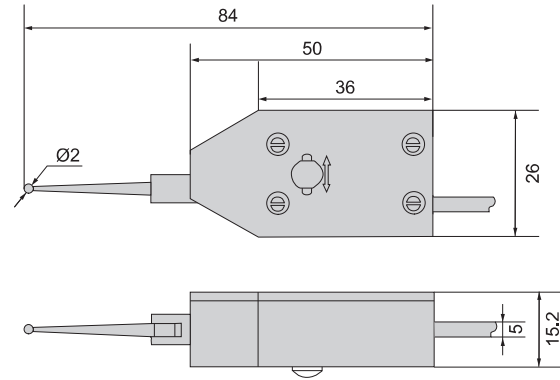


INDUCTANCE TYPE PROBE SPECIFICATION

Range		±0.3mm
Probe	accuracy	±0.5%FS
	repeatability	0.15µm
Overall *	accuracy	±2µm
	repeatability	0.3µm
Mechanical stroke		≥0.8mm
Sensor type		LVDT (half bridge)
Measuring force		0.12~0.25N
Operating environment	work	0~40°C, ≤80% (non-condensing)
	storage	-20~60°C, ≤80% (non-condensing)
Cable length		2m (customised from 2~5m)
Output interface		5-wire aviation interface
Net weight		50g

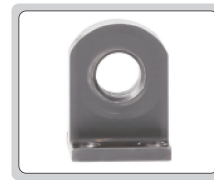
* Work with **9427-S01B** need to be set in the factory

unit: mm



INDUCTANCE TYPE PROBE STANDARD DELIVERY

Main unit	1 pc
Mounting head with Ø8mm cylinder	1 pc
Mounting head with Ø6.5mm through holer	1 pc



mounting head with
Ø6.5mm through holer (included)



mounting head with
Ø8mm cylinder (included)