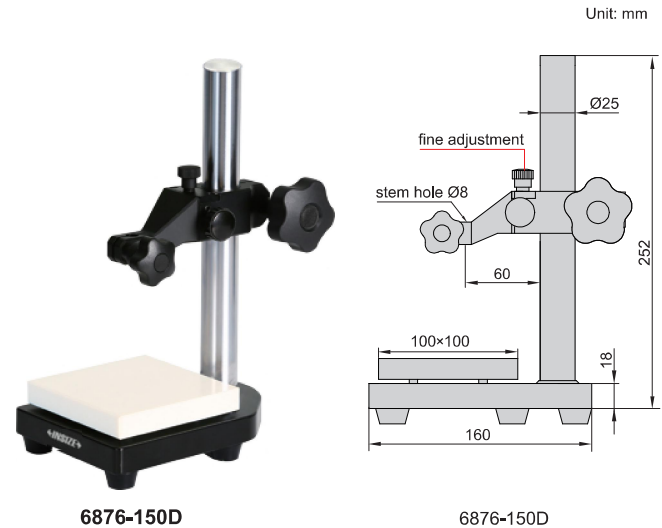
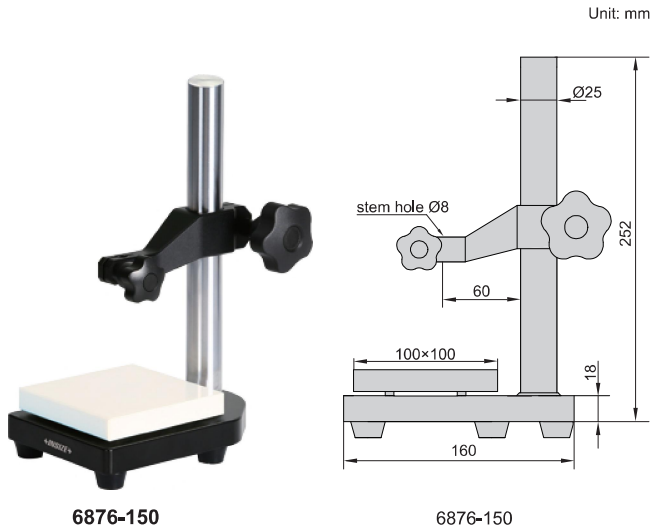


DIAL INDICATOR STANDS



- Vertical travel of holder: 150mm
- Ceramic anvil
- Supplied with dust cover

Code	Applicable holding stem	Anvil	Remark
6876-150	Ø8mm	ceramic, plain, flatness 1.5µm	without fine adjustment
6876-150D	Ø8mm	ceramic, plain, flatness 1.5µm	with fine adjustment, fine adjustment range 3mm