

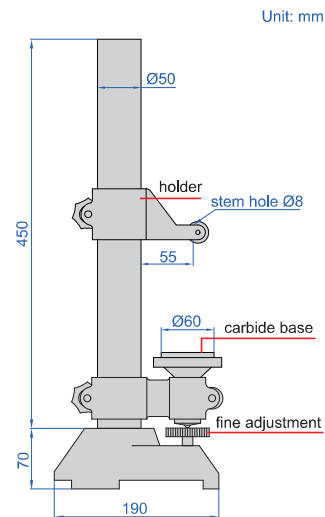
## HEAVY DUTY DIAL INDICATOR STAND



- Vertical travel of holder: 300mm
- Fine adjustment range: 5mm
- Carbide base
- Supplied with dust cover
- Optional accessory:  
holder with stem hole  $\varnothing 28\text{mm}$  (code **6869-D28**)



**6869-300**



Code	Applicable holding stem	Base
<b>6869-300</b>	$\varnothing 8\text{mm}$	plain, flatness $1\mu\text{m}$ , carbide