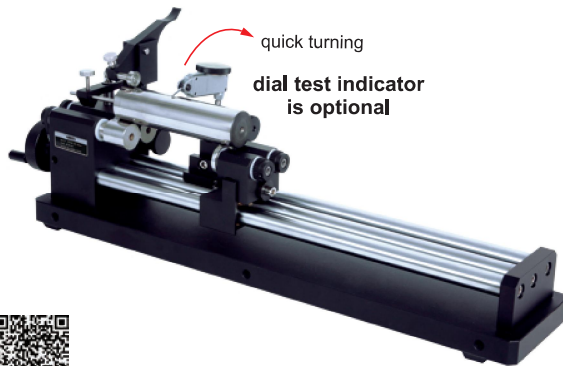
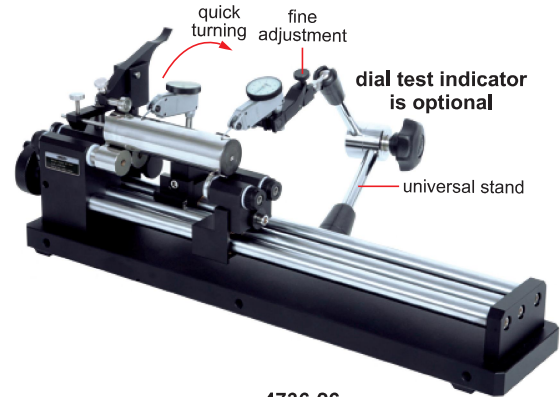


## CONCENTRICITY GAUGES



**4736-25**



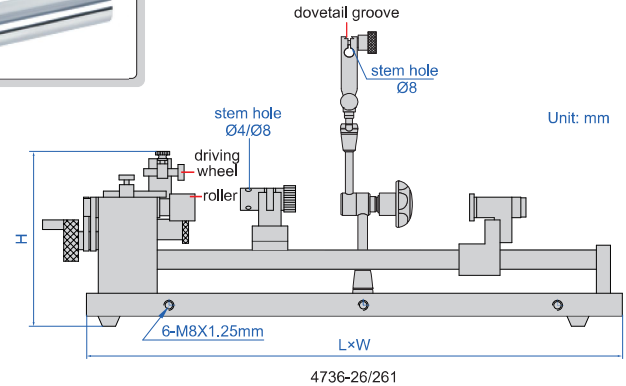
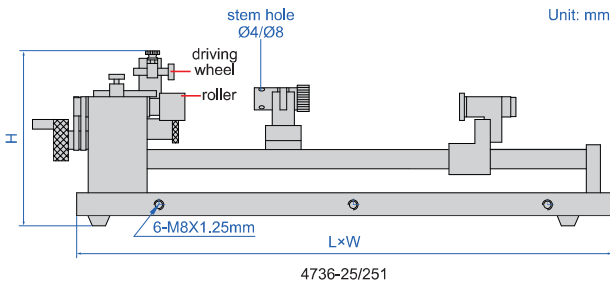
**4736-26**



standard rod (included)



- Quick positioning, suitable for mass measurement
- Supplied with standard rod to verify accuracy
- Optional accessory: dial test indicators



Code	Diameter range	Workpiece length	Accuracy	L×W×H	Net weight	Remark
4736-25	Ø3-35mm	15-305mm	2µm	455×100×140mm	6kg	without universal stand
4736-26	Ø3-35mm	15-305mm	2µm	455×100×140mm	6.5kg	with universal stand
4736-251	Ø3-35mm	15-405mm	2µm	555×120×140mm	8.5kg	without universal stand
4736-261	Ø3-35mm	15-405mm	2µm	555×120×140mm	9kg	with universal stand