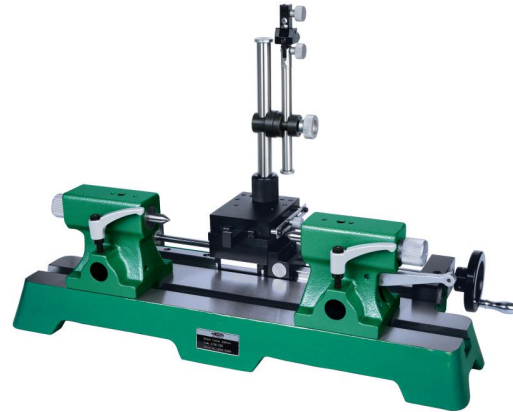
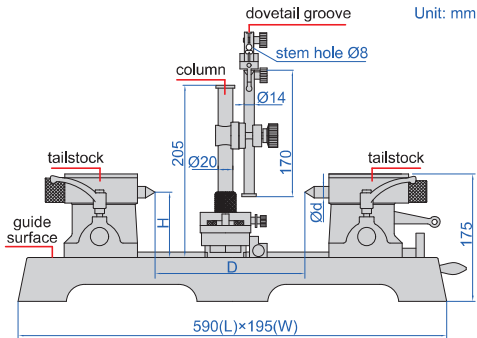


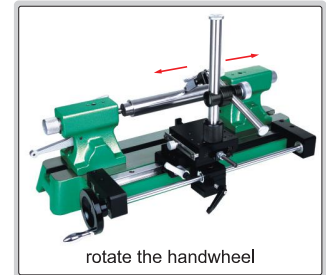


BENCH CENTER WITH STRAIGHTNESS MEASUREMENT



4723-300

straightness measurement



- Hardened cast-iron guide surface

Code	Parallelism*	Runout accuracy	Accuracy of straightness measurement	Center height (H)	Distance between two centers (D)	Diameter of center (Ød)	Taper of center	Weight	Load
4723-300	4µm	2µm	0.02mm	90mm	300mm	18mm	MT2	38kg	25kg

* Parallelism of two centers to the guide surface