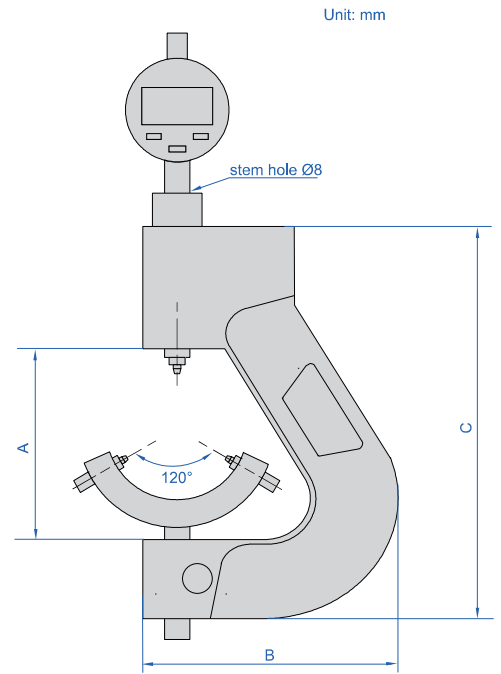
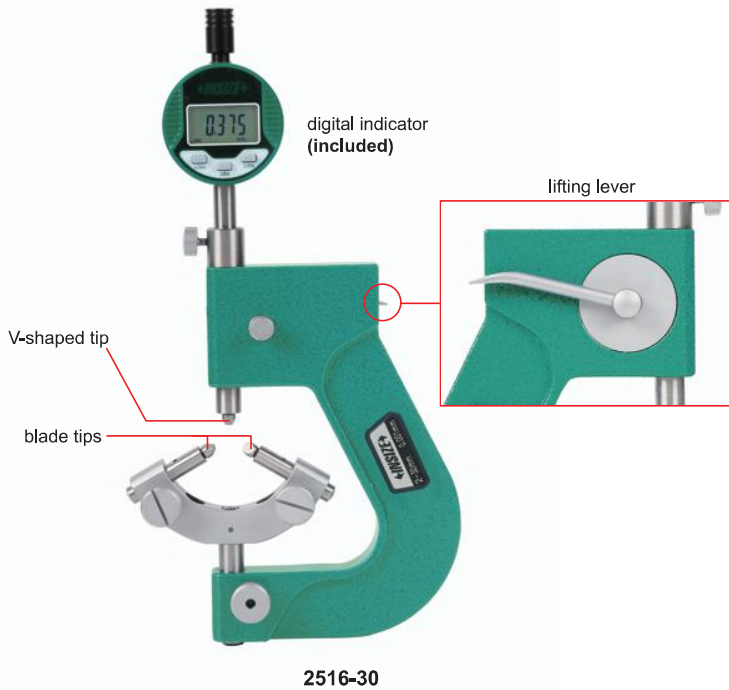
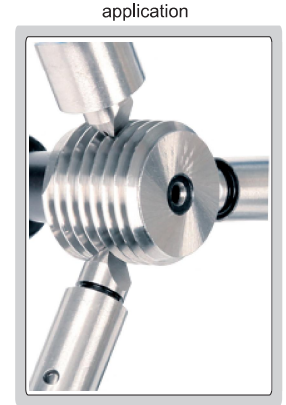


# SCREW THREAD COMPARATORS

DATA  
OUTPUT



- Measure pitch diameter of external screw threads
- V-shaped tip travel: 3mm
- Resolution: 0.001mm/0.00005"
- Button function: on/off, zero, inch/metric conversion, absolute/incremental measurement
- Keep preset data in memory after restart
- CR1632 battery, automatic power off
- Data output
- Optional accessory: wireless transmitter code 7315-50M (receiver is needed)



Code	Range	Pitch	Repeatability	A	B	C
2516-30	2-30mm	0.4-5mm/64-5TPI	±0.01mm	66	89	133
2516-70	30-70mm	0.6-7mm/44-3.5TPI	±0.01mm	116	105	172

**Measuring tips are included**  
Metric and unified thread (60° thread angle)

Code	Pitch	Quality of tips
2516-30	0.4-0.5mm/64-48TPI	each pitch including 2 blade tips and 1 V-shaped tip
	0.6-0.9mm/44-28TPI	
	1-1.75mm/24-14TPI	
	2-3mm/13-9TPI	
2516-70	3.5-5mm/8-5TPI	
	0.6-0.9mm/44-28TPI	
	1-1.75mm/24-14TPI	
	2-3mm/13-9TPI	
2516-70	3.5-5mm/8-5TPI	
	5.5-7mm/4.5-3.5TPI	

