

## BORE GAUGES FOR BARRIER INSIDE BORES

**INSIZE PLUS**

MEASURE DIAMETER OF  
BORES WITH BARRIER INSIDE

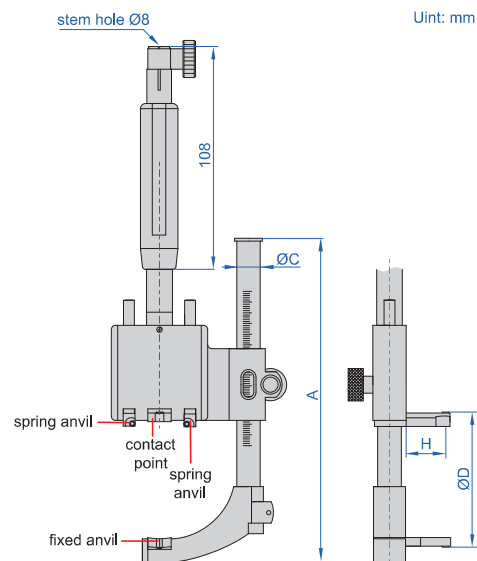
ATTENTION: NOT SUITABLE  
FOR 0.001MM DIAL INDICATORS

digital indicator  
is optional



2432-105

application



- Measure diameter of bores with barrier inside
- Optional accessory: digital/dial indicator, setting ring (code 6312)

(mm)

Code	Range $\varnothing D$	Diameter of barrier $\varnothing d$	Travel of contact point	Measuring depth H	Accuracy (without dial indicator)	Measuring force	A	$\varnothing C$
2432-70*	25-70mm	<D-6 (less than 45mm)**	2.5	12	0.01	1.5N	115	10
2432-105*	35-105mm	<D-11 (less than 70mm)**	3.0	18	0.01	2.5N	150	11
2432-210*	100-210mm	<D-20 (less than 130mm)**	3.5	30	0.015	2.5N	233	15
2432-280*	100-280mm	<D-20 (less than 130mm)**	3.5	30	0.015	2.5N	303	15
2432-500*	200-500mm	<D-20 (less than 240mm)**	3.5	30	0.02	2.5N	622	30

\* Supplied with manufacturer inspection certificate.

\*\* For example, code 2432-70 range  $\varnothing D$  is 25-70mm, diameter of barrier  $\varnothing d$  should <D-6 and  $\varnothing d$  should less than 45mm.

When  $\varnothing D$  is 40mm, D-6=34mm, so  $\varnothing d$  should <34mm.

When  $\varnothing D$  is 60mm, D-6=54mm, however it should be less than 45mm, so  $\varnothing d$  should <45mm.