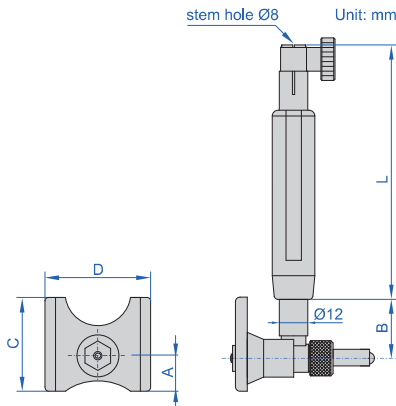


SELF-POSITIONING, NO NEED TO FIND REVERSAL POINT MANUALLY (MINIMUM VALUE)

SELF-POSITIONING BORE GAUGES

- Self-positioning, no need to find reversal point manually (minimum value)
- Carbide contact point
- Optional accessory:
 - Dial indicator or dial comparator
 - Setting ring (code **6312**)
 - Long handle (code **7352**)



(mm)

Code	Range	Accuracy (without dial indicator)	Repeatability (without dial indicator)	A	B	C	D	L
2431-35	20-35mm	2µm	1µm	9	21	12	16	89
2431-55	35-55mm	2µm	1µm	10	23	30	28	96
2431-80	50-80mm	2µm	1µm	15	25	40	45	108
2431-120	80-120mm	2µm	1µm	15	25	40	60	108
2431-170	120-170mm	2µm	1µm	18	30	50	88	119

* Supplied with manufacturer inspection certificate



digital indicator is optional

2431-80