

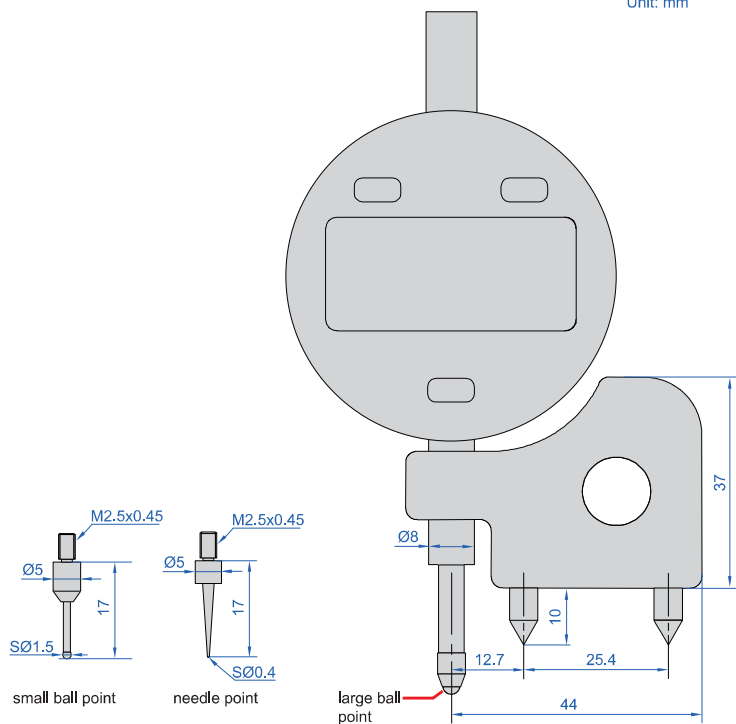
DIGITAL HEIGHT GAUGE

DATA
OUTPUT

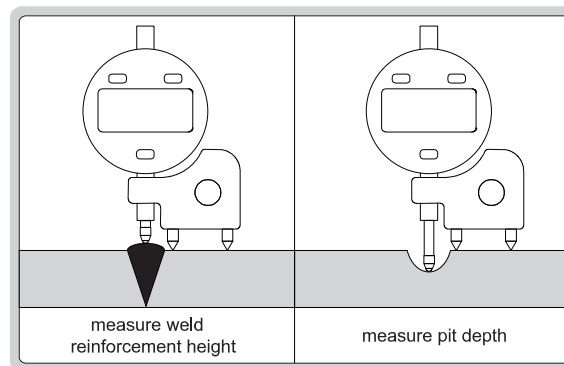
Unit: mm



2162-10



application



- Measure the weld reinforcement height and the pit depth of pipelines
- Button function: on/off, inch/mm, zero, data preset, change measuring direction, absolute/incremental measurement
- Keep preset data in memory after restart
- CR2032 battery, automatic power off (time is adjustable)
- Small ball point and needle point are included
- Data output
- Optional accessory:
wireless transmitter code **7315-50M** (receiver is needed)

Code	Range(Adjustable)*	Range(Adjustable)**	Digital indicator stroke	Resolution	Accuracy
2162-10	0-3mm/0-0.12" (raised) 0-12.7mm/0-0.5" (sunked)	0-12.7mm/0-0.5" (raised) 0-12.7mm/0-0.5" (sunked)	12.7mm/0.5"	0.01mm/0.0005"	±0.02mm

* Measuring range with small ball probe or needle probe

** Measuring range with large ball probe